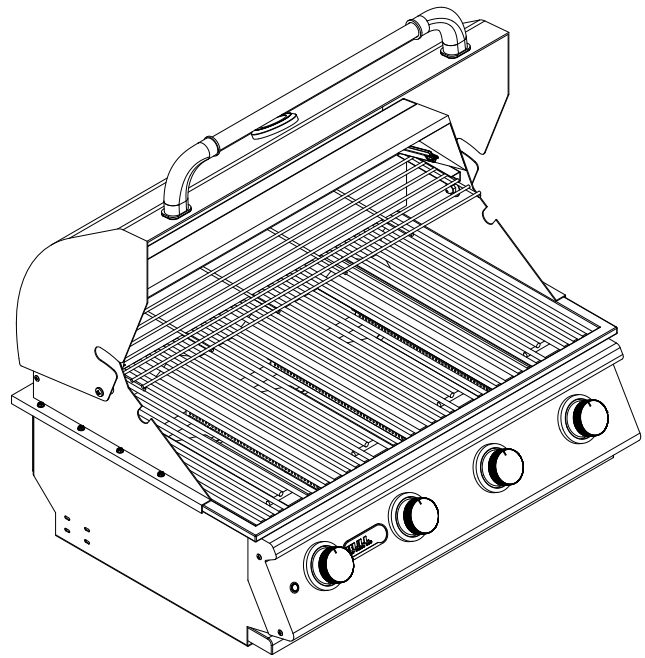




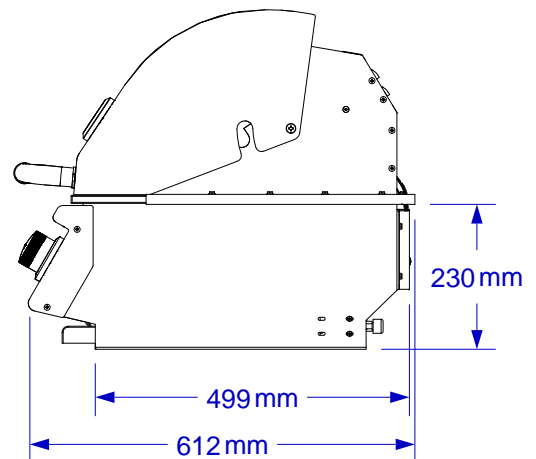
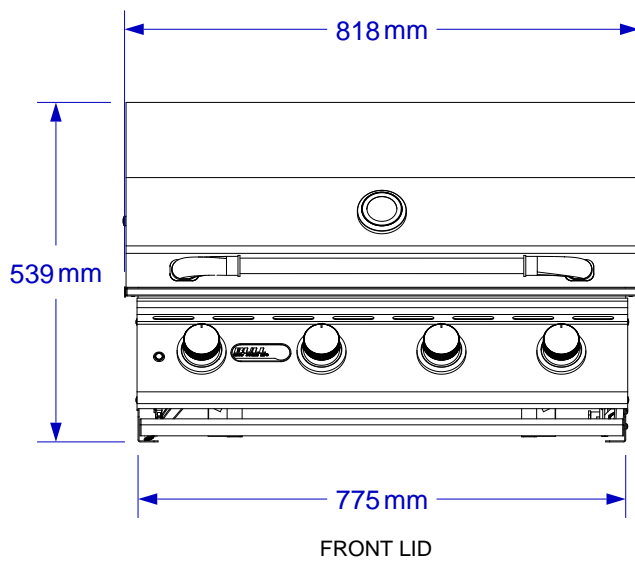
ITEM:
#87048 LP
#87049 NG

LONESTAR SELECT
GRILL SPEC SHEET



ISOMETRIC VIEW

*ISLAND MUST BE CONSTRUCTED WITH NON-COMBUSTIBLE MATERIALS; REFER TO GRILL OWNERS MANUAL.



NOTES:

ITEM: #87048 LP / #87049 NG

1. CUTOUT DIMENSIONS: 789mmW X 534mmD X 242mmH
2. SCALE: 1 : 12 (Printer page scaling none, do not use fit to printable area option)
3. REVISION: 10/2014